

Biro Service Grinders

Description:

The 1 horsepower Model 922 flared bowl fast feed grinder/chopper can produce an average of 18 pounds per minute. It features a stainless steel cases and removable stainless steel product holding trays.

Application:

Use in service meat departments, delis and specialty meat shops for the grinding and chopping of any fresh beef, lamb or pork products.

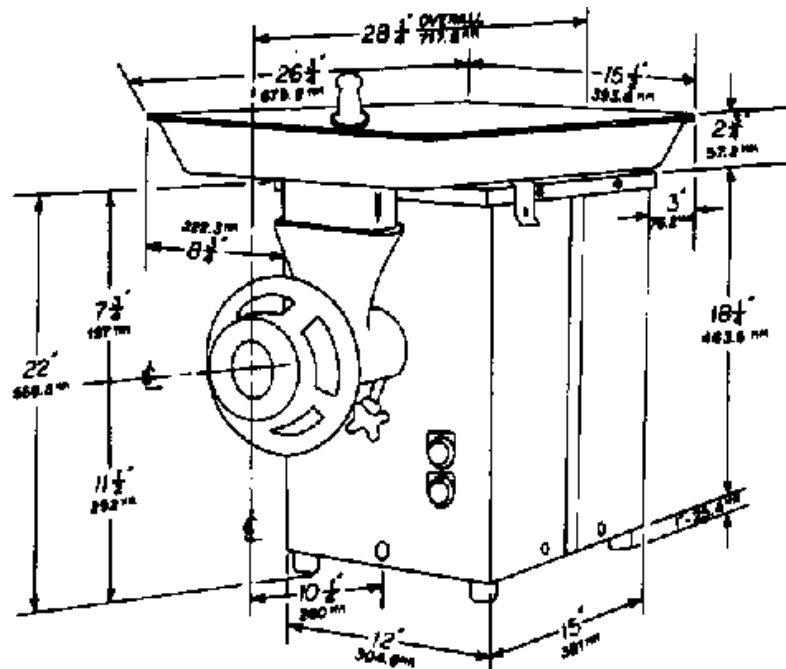
Benefits:

High polish, easy to clean stainless steel cases as standard.

Stainless steel product holding trays are easily removed for cleaning.

Special high torque, positive grip, non-stretch steel wire belt transmission. This special belt has the advantage of a chain type drive system, but is both smoother and quieter.

DIMENSIONS:



MODEL 922