

Ishida Astra Price-Computing Scale with Printer



Astra with pole display



PART #	MODEL	CAPACITY
64986	Astra	30 x 0.01 lb
68505	Astra with pole display	30 x 0.01 lb
68943	Astra, Spanish	15 kg x 0.005 kg

The Astra exhibits a combination of performance and price unmatched by any scale in its class. It allows operators to create a variety of eye-catching point of purchase labels up to 64mm wide and 85mm long at an industry-leading 80mm per second. In addition, its ergonomic design successfully delivers customer convenience. The Astra's simple side label loading feature, easy-to-read display, and user-friendly keyboard design allow operators to deliver fast, friendly customer service.

The Astra's performance is enhanced by innovative features. Setup time is reduced with the help of unique, easy-to-use, software tools called AstraLink and AstraLabel. AstraLink allows PLUs, messages and presets to be programmed from a PC. It conveniently allows operators to generate preset key sheets from their own printer. AstraLabel allows simple label formatting. The Astra also offers a proportional tare feature that can be programmed per PLU or entered through the keyboard. What's more, operators can use the cloning feature to transfer some or all of the scale memory from one Astra directly to another.

From meat departments to delis, seafood to specialty shops, the Astra retail scale printer is the leader in form, function and value.



Astra without pole display

Applications

- Supermarket
- Deli
- Candy shop
- C-Store
- Seafood shop
- Specialty store

Standard Features

- Programmable function keys
- Store up to 2,000 PLUs
- Print speed of 3.15" (80mm) per second
- Convenient side-loading label feature
- RS-232 communications (for AstraLink)
- Proportional tare
- 44 keys store up to 88 presets

Options/Accessories

- 66435\* .....Astra CD-ROM (Contains AstraLink and Astra-Label software programs, manuals, and label format worksheets)
- 65989\* .....AstraLink PLU editing software (3.5" diskettes)
- 66533\* .....AstraLabel label editing software (3.5" diskettes)
- 66535.....RS-232 Null modem 6' cable, DB9 female to DB9 female (Astra to PC, Astra to Astra)
- 69049.....Spanish AstraLink CD-ROM
- 67514.....Korean language firmware
- 47977.....Produce platter
- 47976.....Fish platter
- 47341 .....Continuous roll thermal journal paper, 64mm W x 50m L
- 66423\* .....Service manual (lb model)
- 66019\* .....Additional operator's manual (lb model)
- 68852\* .....Additional operator's manual, Spanish (kg model)

LABEL STOCK

- 47732.....2.36" x 1.73" (60mm x 44mm)
- 47733.....2.52" x 1.85" (64mm x 47mm)
- 47735.....2.52" x 2.32" (64mm x 59mm)
- 47736.....Pre-printed safe handling instructions, 2.52" x 2.32" (64mm x 59mm)
- 47743\*\* .....Extended text, 2.52" x 3.34" (64mm x 85mm)
- 47745.....Pre-printed safe handling instructions on top of label, 2.52" x 3.34" (64mm x 85mm)
- 47762.....Non-barcode, 2.52" x 1.46" (64mm x 37mm)

\* Manuals and software programs can be downloaded for FREE from the distributor section of the Ishida web site at www.ishidaretail.com

\*\* Safe handling instructions can also be printed by scale.

(Specifications on back)

**CAPACITY/GRADUATIONS:**

30 x 0.01 lb (15 kg x 0.005 kg)

**DISPLAY:**

Tare: 4-digits  
 Weight: 5-digits  
 Unit/Price: 5-digits  
 Total Price: 6-digits

**ACCURACY:**

1/3000

**LABEL WIDTH:**

1.5" - 2.52" (38mm - 64mm)

**LABEL LENGTH:**

1.18" - 3.35" (30mm - 85mm)

**LABEL BACKING PAPER WIDTH:**

Up to 2.64" (up to 67mm)

**PRINTING SPEED:**

3.15" per second (80mm per second)

**LABEL ROLL DIMENSIONS:**

Inside diameter: 1.57" (40mm)  
 Outside diameter: 3.94" (100mm)

**COMMUNICATIONS:**

RS-232 (for AstraLink PLU editor)  
 Scale data copy function  
 Windows® 95, 98 and NT

**KEYBOARD:**

64 keys (88 presets using Mode key)

**MEMORY CAPACITY:**

256K, 2000 PLUs (30 characters per PLU)

**APPROVALS:**

NTEP certified CC# 00-107, UL listed

**WARRANTY:**

One year limited warranty

**ASTRALINK PLU EDITING SOFTWARE**



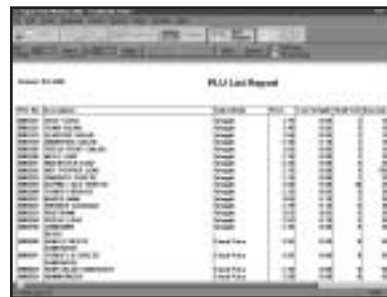
PLU Search Screen



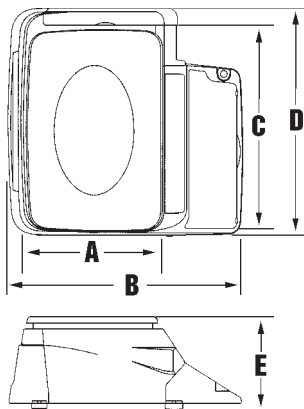
Program Astra Preset Keys



PLU Entry Screen

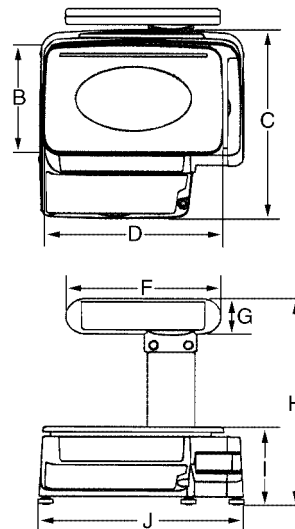


Preview PLU List Report Before Printing



**ASTRA DIMENSIONS**

A: 9.2" (234mm)    D: 15.7" (400mm)  
 B: 16.3" (414mm)    E: 6.5" (165mm)  
 C: 14.1" (358mm)



**ASTRA WITH POLE DIMENSIONS**

B: 9.2" (234mm)    G: 3.1" (80mm)  
 C: 16.3" (415mm)    H: 18.3" (465mm)  
 D: 14.0" (356mm)    I: 6.9" (176mm)  
 F: 12.2" (310mm)    J: 15.7" (400mm)